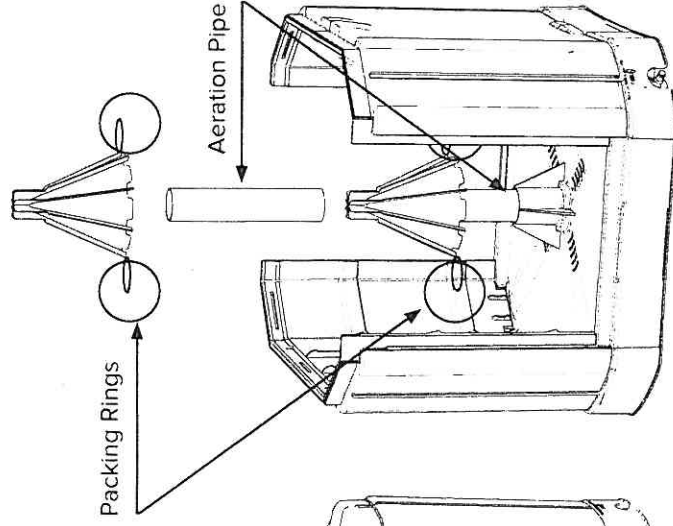
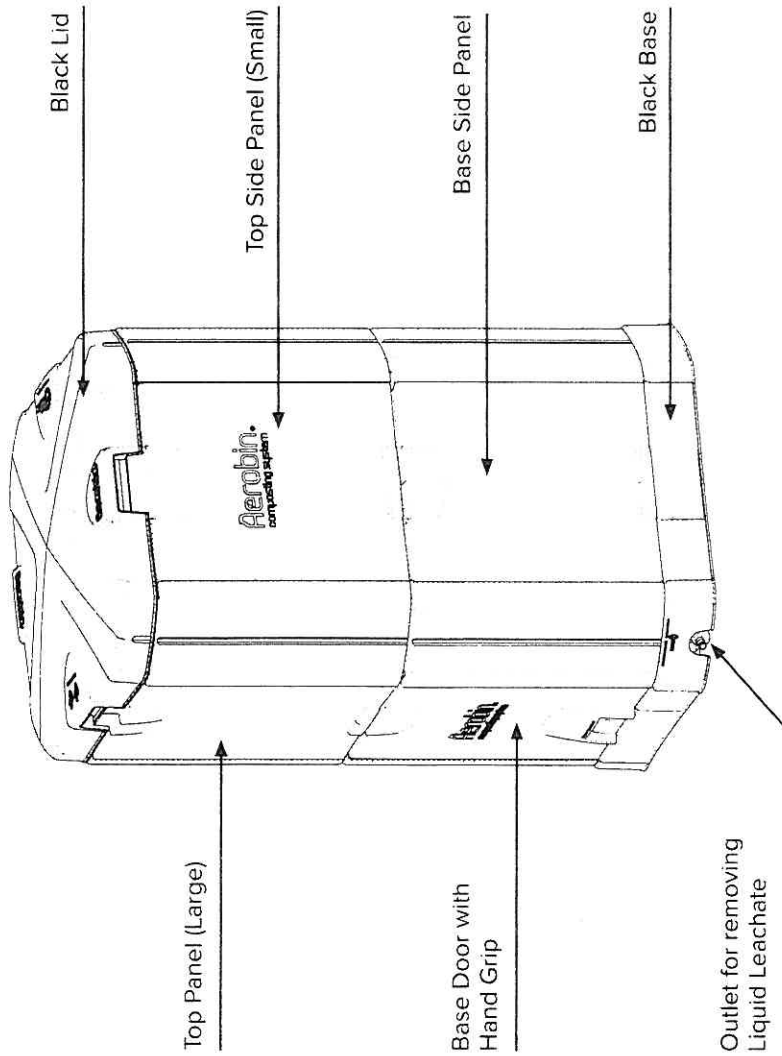


ASSEMBLY INSTRUCTIONS

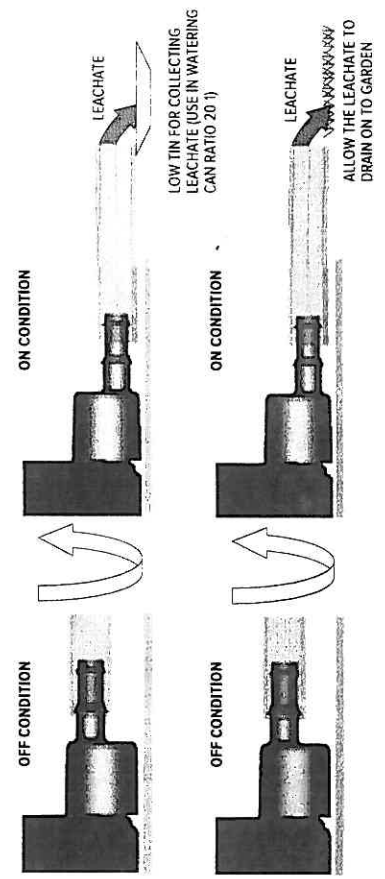


STEP 1.

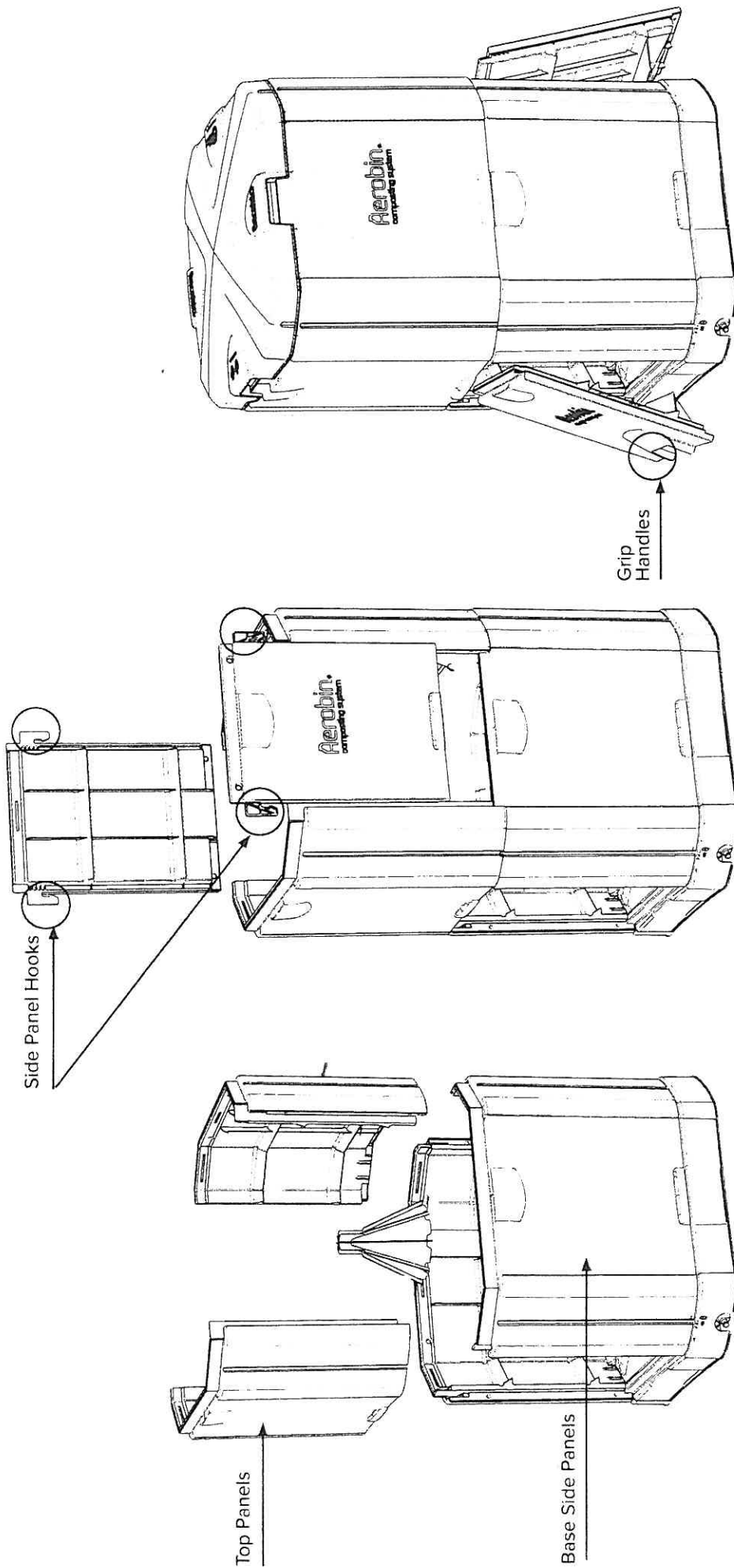
- > Remove all packing from Aerobin
- > Base side panels already
- > Remove black lid and contents

STEP 2.

- > Remove the two packing rings from each cone (four in total)
- > Place a aeration pipe into the base
- > Press lower cone firmly onto the aeration pipe
- > Press second aeration pipe firmly over the top of lower cone, twisting slowly to guide it over the aerating blades on the top of the cone
- > Press the top cone onto the top of the second aeration pipe



Refer to FAQ on how to access the leachate



STEP 3.

- > Place front and back top panels on top half of the bin, over empty panels, click into place
- > This will create a space below for the base doors

STEP 4.

- > Slide the top side panels into place
- > Lock them into the front and back panels by the hooks provided

STEP 5.

- > Place the lid on the top of the Aerobin
- > Slide the front and back base doors into position by sliding the top in first, positioning the base and sliding back down (8mm) to lock
- > If the door can be pulled straight out without lifting first, the door is not locked into position

Congratulations you are now ready to use your Aerobin!